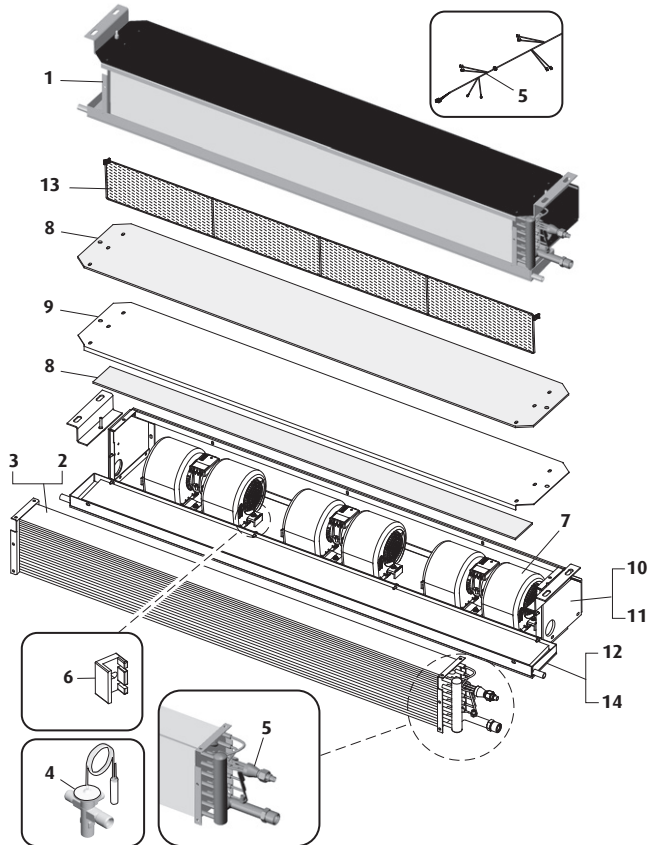


2.1- Components of Upper Evaporator Models: DS - ES - FS

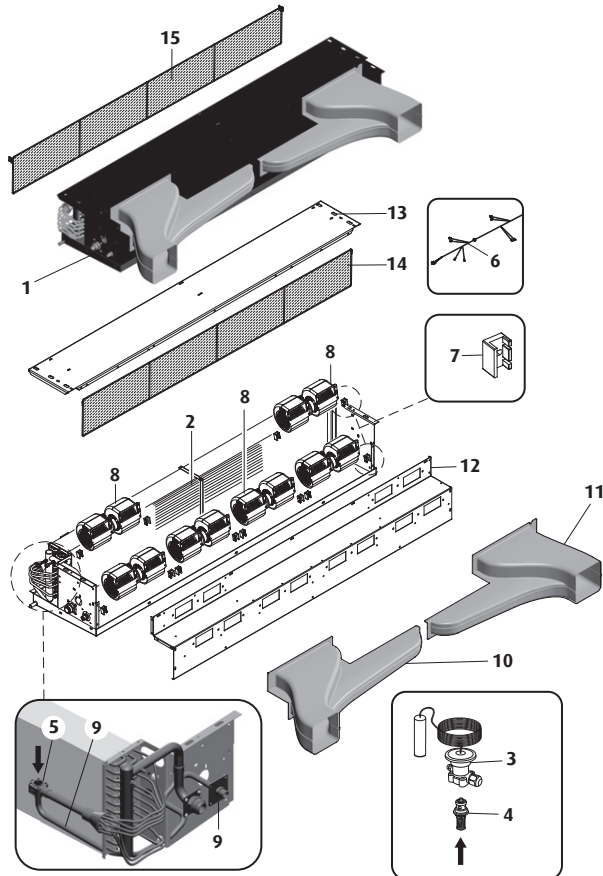
NOTE: visit www.reparts.com to consult the complete parts catalog.



ITEM	DESCRIPTION	CODE		QUANT.
		WITHOUT HEATING	WITH HEATING	
1	Upper Evaporator Module	061-00262-000 RH 061-00263-000 LH	061-00262-001 RH 061-00263-001 LH	1
2	Upper Evaporator Capillary Tube Coil	006-00091-001	006-00176-000	1
3	Upper Heater Capillary Tube Coil	-	006-00178-000	1
4	Expansion Valve	012-00081-000		1
5	Evaporator Electric Wiring Harness	016-00021-000	016-00021-002	1
6	Radial Fan Clip	017-00309-000		6
7	Radial Fan 24V	021-00014-000		3
8	Armaflex Seat Foam	035-00049-001		-
9	Upper End cover	040-00554-000	040-02157-000	1
10	Right Hand End Cover	040-00555-000	040-02158-000	1
11	Left Hand End Cover	040-00556-000	040-02159-000	1
12	Tray / Fan Assembly	041-00186-006		1
13	Air Filter Assembly	041-01502-000	041-01551-000	1
14	Evaporator Assembly	043-00182-002		1

2.2- Components of Upper Evaporator Models B - C

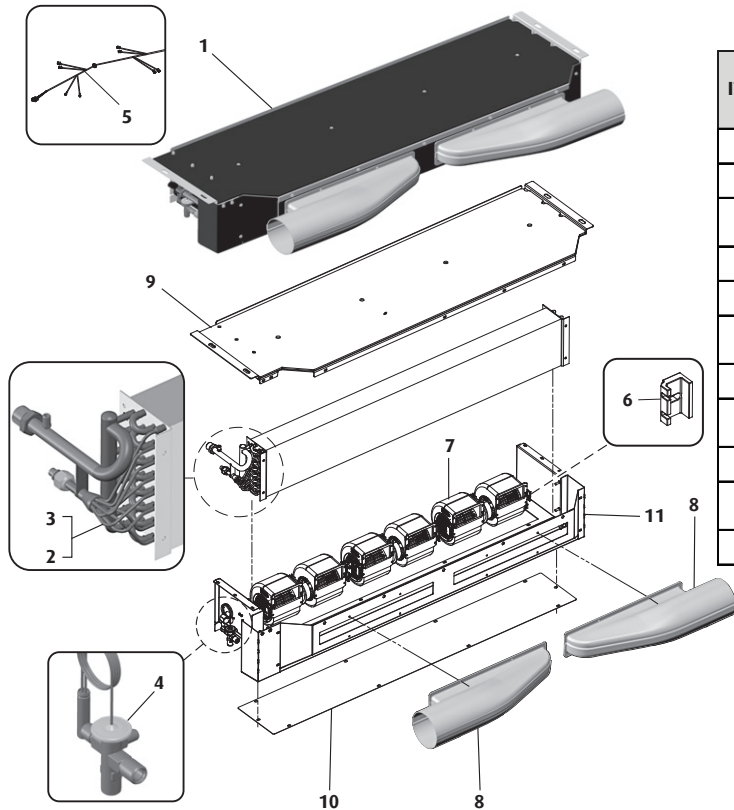
NOTE: visit www.reparts.com to consult the complete parts catalog.



ITEM	DESCRIPTION	CODE	
		WITHOUT HEATING	QUANT.
1	Upper Evaporator Module	061-00187-000	1
2	Upper Evaporator Capillary Tubes	006-00021-000	1
3	Expansion Valve	012-00032-000	1
4	Expansion Valve Hole	012-00033-000	1
5	Expansion Valve Body	012-00034-000	1
6	Evaporator Electric Wiring Harness	016-00148-002	1
7	Radial Fan Clip	017-00309-000	12
8	Radial Fan 24V	021-00014-000	6
9	Liquid Line Tube	031-00061-001	1
10	Right Hand Air Insufflator Duct	034-00252-000	1
11	Left Hand Air Insufflator Duct	034-00253-000	1
12	Front End Cover	040-00707-000	1
13	Upper End Cover	040-00709-000	1
14	Upper Evaporator Water Grille Assembly DD	041-00052-000	1
15	Upper Evaporator Air Filter Assembly DF 880 X 260	041-00162-000	1

2.3- Components of Lower Evaporator Models B - DS

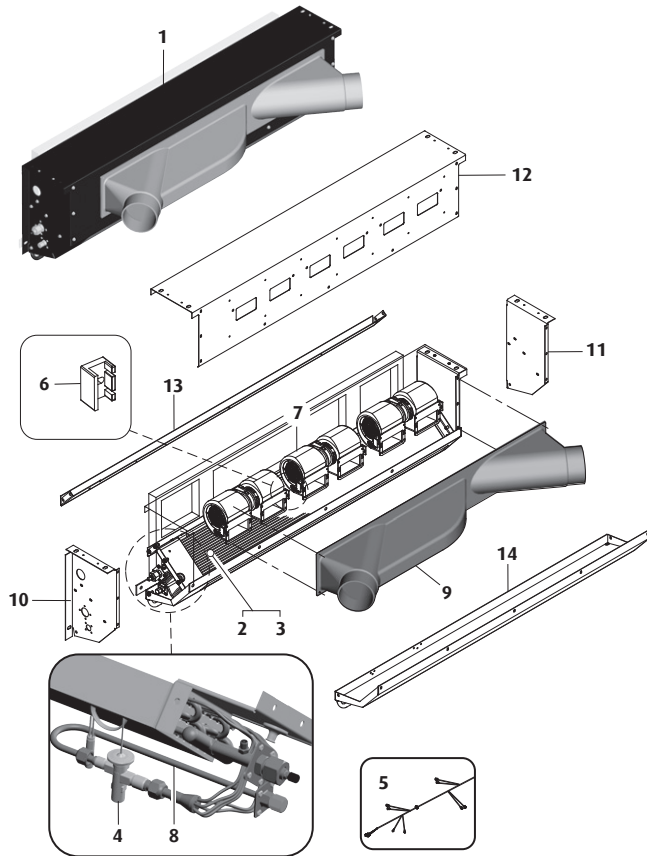
NOTE: visit www.reparts.com to consult the complete parts catalog.



ITEM	DESCRIPTION	CODE		QUANT.
		WITHOUT HEATING	WITH HEATING	
1	Lower Evaporator Model CC430	061-00107-006	061-00245-000	1
2	Lower Evaporator Capillary Tube Coil	006-00097-001	006-00175-000	1
3	Lower Heating Capillary Tube Coil	-	006-00177-000	1
4	Expansion Valve	012-00081-000		1
5	Evaporator Electric Wiring Harness	016-00188-004	016-00323-003	1
6	Radial Fan Clip	017-00309-000		6
7	Radial Fan 24V	021-00014-000		3
8	Lower Evaporator Air Duct	034-00039-001		2
9	Upper End Cover	040-00521-000	040-02154-000	1
10	Fan Maintenance Cover	040-01629-000		1
11	Lower End Cover	043-00468-000	043-00607-000	1

2.4- Components of Lower Evaporator Models C - ES

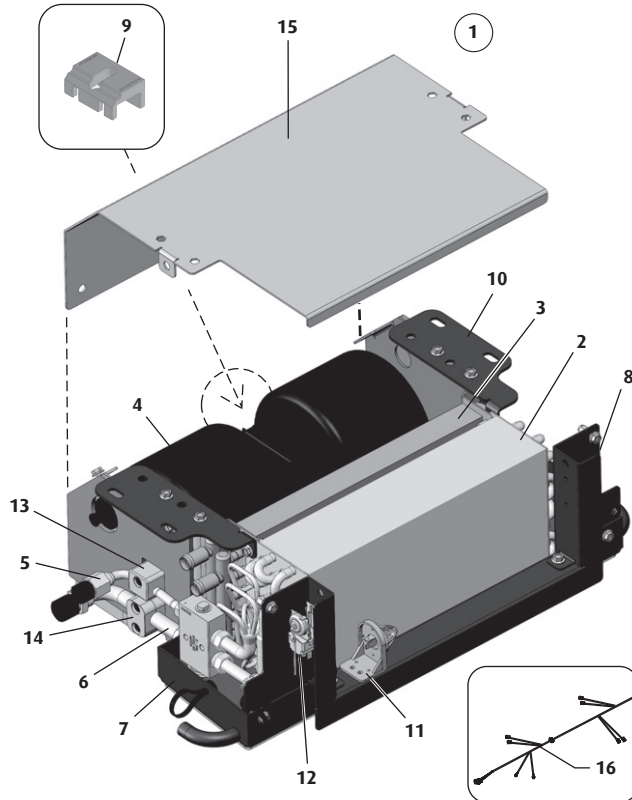
NOTE: visit www.reparts.com to consult the complete parts catalog.



ITEM	DESCRIPTION	CODE		QUANT.
		WITHOUT HEATING	WITH HEATING	
1	Lower Evaporator Model	061-00190-000	061-00248-000	1
2	Lower Evaporator Capillary Tube Coil	006-00124-000		1
3	Lower Heating Capillary Tube Coil		006-00184-000	1
4	Expansion Valve	012-00081-000		1
5	Evaporator Electric Wiring Harness	016-00323-000	016-00323-001	1
6	Radial Fan Clip	017-00309-000		6
7	Radial Fan 24V	021-00014-000		3
8	Liquid Line Tube	031-00286-000		1
9	Lower Evaporator Duct	034-00277-000		1
10	Left Hand End Cover	040-00778-000	040-00778-002	1
11	Right Hand End Cover	040-00779-000		1
12	Fan End Cover	040-00780-000		1
13	Capillary Tube Sealing Sheet	040-00781-000		1
14	Lower Evaporator Tray	043-00198-001		1

2.5- Components of Parcel Rack Lower Evaporator Model FS

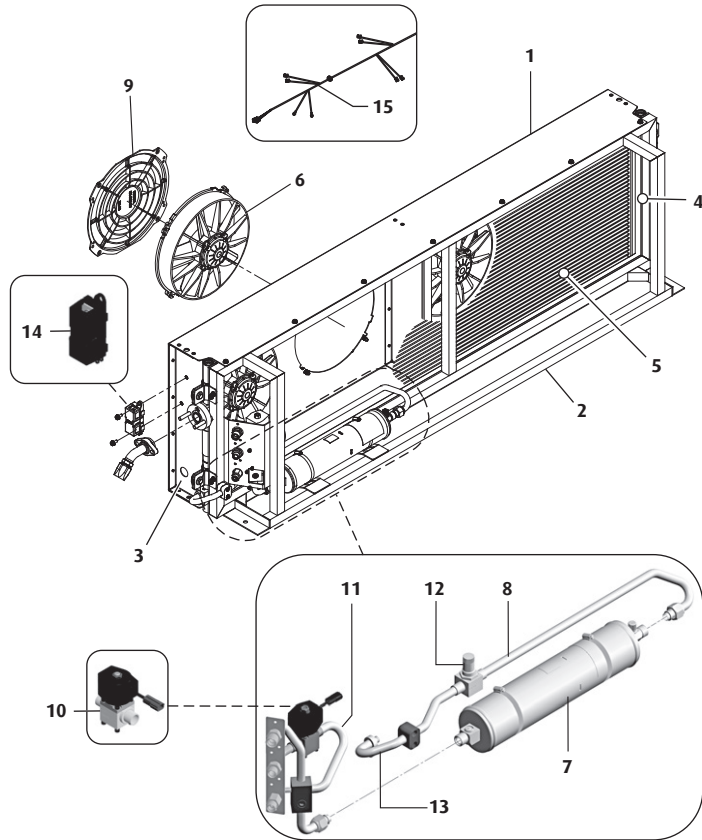
NOTE: visit www.reparts.com to consult the complete parts catalog.



ITEM	DESCRIPTION	CODE		QUANT.
		LEFT HAND	RIGHT HAND	
1	Parcel Rack Lower Evaporator Module DD	061-00284-000	061-00292-000	1
2	Parcel Tack Lower Evaporator Capillary Tube Coil DD	006-00104-001	006-00104-002	1
3	Lower Evaporator Heating Capillary Tube Coil	006-00147-001	006-00147-002	1
4	Radial Fan 24V 1070 M3/H – SPAL VLL	021-00014-000		1
5	Lower Evaporator Liquid Line Tube Assembly	031-00520-000		1
6	Lower Evaporator Suction Tube Assembly	031-00518-000		1
7	Cond. Water Tray Assembly + Lower Evaporator Drain	046-00031-000		1
8	Lower Evaporator Air Return End Cover	040-02671-001	040-02671-000	1
9	Evaporator Fan Clip	017-00309-000		2
10	Lower Evaporator Attachment Support	040-02666-000	040-02666-001	1
11	Temperature Sensor GLOBUS S-030	007-00042-000		1
12	Anti-freezing Thermostat	010-00016-000		1
13	Bracket Body STAUFF Group 1: Ø 9.5	017-00351-000		1
14	Bracket Body STAUFF Group 2: 16mm	017-00342-000		1
15	Lower Evaporator Upper End Cover	040-02650-000		1
16	Lower Evaporator Electric Wiring Harness 24V	016-00440-000	016-00440-001	1

2.6- Components of Condenser

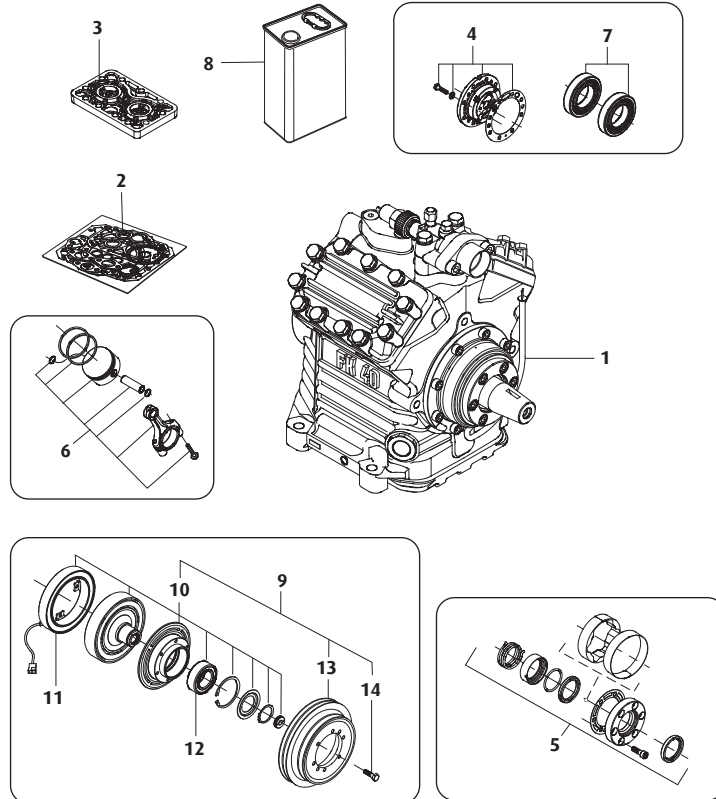
NOTE: visit www.reparts.com to consult the complete parts catalog.



ITEM	DESCRIPTION	CODE	QUANT.
1	Condenser Module	060-00188-000	1
2	Condenser Structure	046-00021-002	1
3	Condenser Left Hand End Cover	040-02503-001	1
4	Condenser Right Hand End Cover	040-02412-001	1
5	Condenser Capillary Tube Coil	006-00195-000	1
6	Axial Fan	021-00015-000	4
7	Liquid Tank and Dry Filter	038-00039-000	1
8	Liquid Tank Pipe Assembly	042-01162-000	1
9	Condenser Fan Grille	034-00111-000	4
10	Solenoid Valve	012-00102-002	1
11	Dry Filter Tube Assembly vs Liquid Line	042-01164-001	1
12	Service Valve	012-00117-000	1
13	Capillary Tube Coil vs Liquid Tank	031-00459-000	1
14	Charge Distribution (Derivation Switch)	015-00012-000	1
15	4-Fan Condenser Electric Wiring Harness	016-00149-002	1

2.7- Components of Compressor BOCK FXK 40/655K

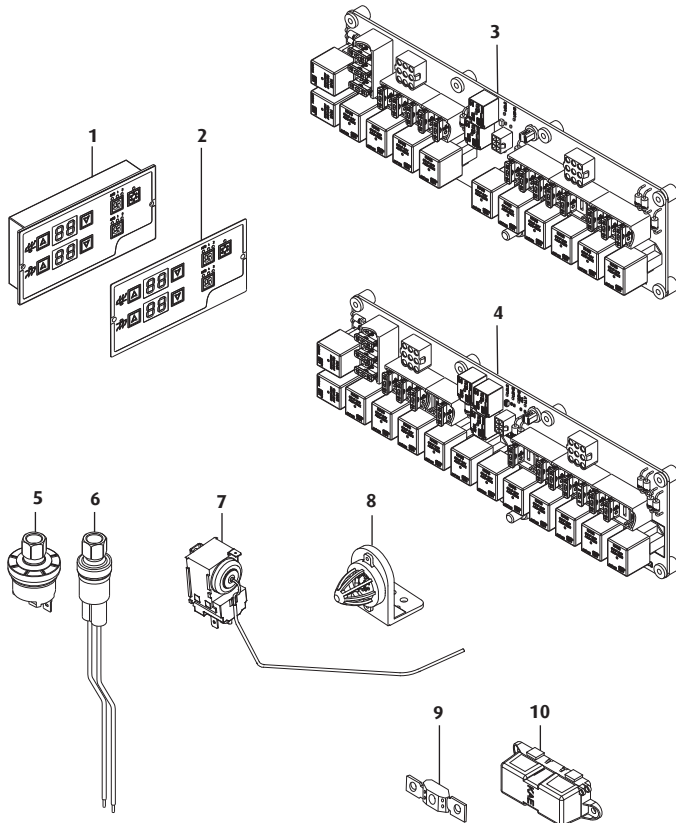
NOTE: visit www.reparts.com to consult the complete parts catalog.



ITEM	DESCRIPTION	CODE	QUANT.
1	Compressor BOCK FXK40/655K	014-00195-000	1
2	Compressor Sealing Gaskets Assembly	014-00197-000	1
3	Compressor Valve Board Assembly	014-00198-000	2
4	Compressor Oil Pump	014-00199-000	1
5	Compressor Sealing Kit BOCK FXK40	014-00200-000	1
6	Piston Assembly BOCK FXK40	014-00201-000	4
7	Compressor Roll Bearing BOCK FXK40	014-00202-000	2
8	Compressor Oil	027-00002-000	2
9	Compressor Clutch Assembly	041-00226-000	1
10	Clutch kit without pulley	041-00457-000	1
11	Magneto	029-00052-000	1
12	Ball Roller Bearing	029-00008-000	1
13	Pulley 2A/2B	014-00097-000	1
14	Bolt	017-00104-000	8

2.8- Electric Components

NOTE: visit www.reparts.com to consult the complete parts catalog.



ITEM	DESCRIPTION	CODE	QUANT.
1	Electronic Controller DD 24V GL-W 180	007-00041-000	1
2	Controller Mask Sticker GL-W 180	036-00172-003	1
3	Electric Control Board GLOBUS GL-W 122	007-00022-000	1
4	Electric Control Board GLOBUS GL-W 123	007-00023-000	1
5	Low Pressure Switch	010-00018-000	1
6	High Pressure Switch	010-00019-000	1
7	Anti-freezing Pressure Switch	010-00016-000	1
8	Temperature sensor of cage type	007-00042-000	1
9	Fuse 175A	015-00030-000	1
10	Fuse Bracket	015-00031-000	1